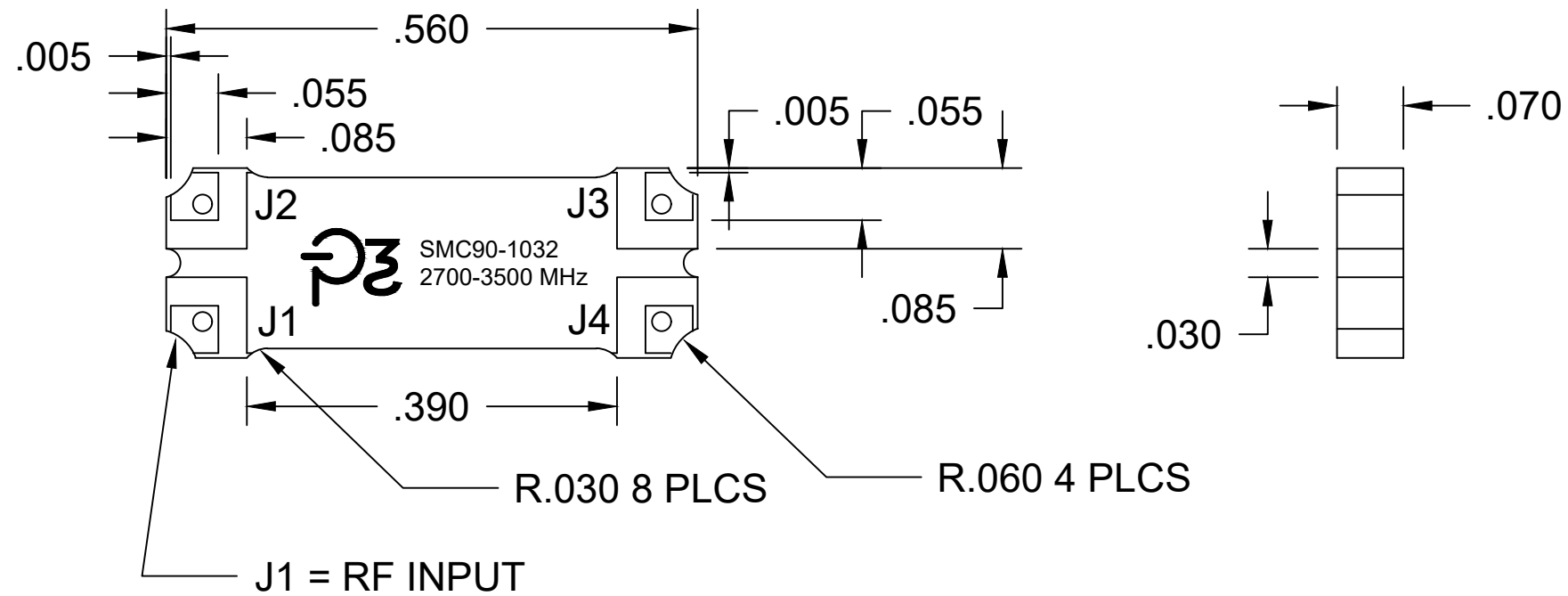


REV	RELEASE	DESCRIPTION	APPR	DATE
-	-	-	-	-



SPECIFICATIONS:

Frequency: 2700-3500 MHz.
 Power: 200 Watts CW
 Insertion Loss: 0.20 dB Max.
 Isolation: 24 dB Min.
 Phase Bal.: 90° ±3.0° Max.
 VSWR: 1.25 Max.
 Amplitude Bal.: ±0.40 dB Max.
 Oper. Temp.: -55° to +85°C

MECHANICAL:

Board Material: PTFE
 Finish: Emmersion Tin Plate

PORT CONFIGURATION

PORTS	J1	J2	J3	J4
J1	--	0°	-90°	ISO
J2	0°	--	ISO	-90°
J3	-90°	ISO	--	0°
J4	ISO	-90°	0°	--



**PREFERRED
POWER PRODUCTS**
PALM CITY, FLORIDA 34990

UNLESS OTHERWISE SPECIFIED
ALL DIMENSIONS ARE IN INCHES

TOLERANCES:

DECIMALS	ANGULAR
.X ± .1	± .5°
.XX ± .01	
.XXX ± .005	

THIS DRAWING AND ALL CONTENTS
HEREIN, ARE THE SOLE, PROPRIETARY
PROPERTY OF PREFERRED POWER
PRODUCTS, LLC AND MAY NOT BE USED,
REPRODUCED OR DISCLOSED WITHOUT
EXPRESSED WRITTEN CONSENT.

PART NO.

SMC90-1032

**HYBRID COUPLER, SMC 90 DEG.
2700-3500 MHz.
200 WATT**

CHECKED	PD	9/25/19	APPROVED	PD	9/25/19
DRAWN	PD	9/25/19	ENGINEER	PD	9/25/19
CAGE CODE	7W5T7	SCALE	1:1	SHEET	1 OF 1